

3.2W EI38/13.6 FAPE3813 SERIES

FEATURES

- Two compartments bobbin
- Self-extinguishing plastics UL94V-0
- Degree of protection IP67
- Weight: 0.155kg
- Temperature class to 70 °C/B

OPTIONS

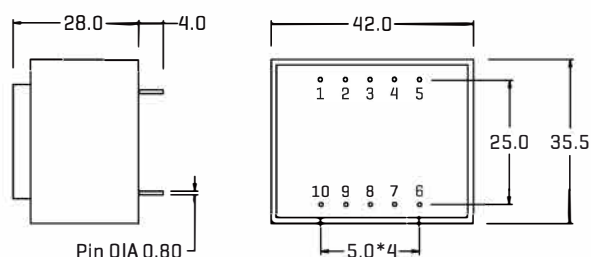
- Bulk packaging is standard
- Custom design available



COMMON APPLICATIONS

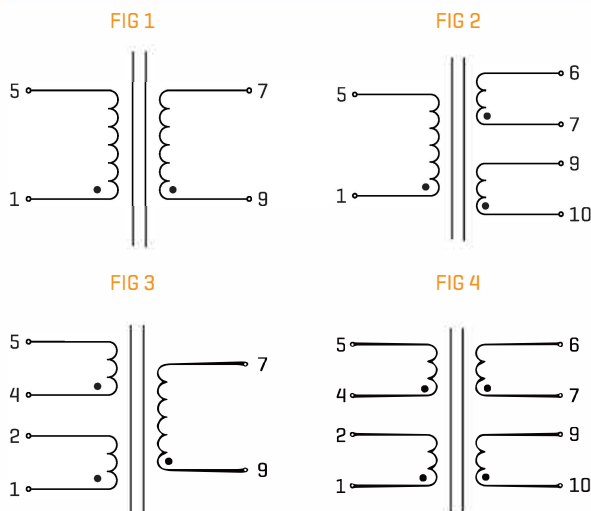
- Medical equipments
- Industrial equipments
- Industrial controls
- Test equipments
- Industrial computers
- Avionics & telecom

PHYSICAL CHARACTERISTICS



ALL DIMENSIONS IN MM

TECHNICAL INFORMATION



ELECTRICAL CHARACTERISTICS AT 25°C

Part Number	Primary [V]	Secondary [V/mA]	No-load voltage[V]	Fig.
FAPE381393	230	6/533	8.0	1
FAPE381394	230	9/356	12.0	1
FAPE381395	230	12/267	16.0	1
FAPE381396	230	15/214	20.0	1
FAPE381397	230	18/178	24.1	1
FAPE381398	230	24/134	32.1	1
FAPE381399	230	2*6/267	2*8.0	2
FAPE3813100	230	2*9/178	2*12.0	2
FAPE3813101	230	2*12/134	2*16.0	2
FAPE3813102	230	2*15/107	2*20.0	2
FAPE3813103	230	2*18/89	2*24.1	2
FAPE3813104	230	2*24/67	2*32.1	2
FAPE3813105	115	6/533	8.0	1
FAPE3813106	115	9/356	12.0	1
FAPE3813107	115	12/267	16.0	1
FAPE3813108	115	15/214	20.0	1
FAPE3813109	115	18/178	24.1	1
FAPE3813110	115	24/134	32.1	1
FAPE3813111	115	2*6/267	2*8.0	2
FAPE3813112	115	2*9/178	2*12.0	2
FAPE3813113	115	2*12/134	2*16.0	2
FAPE3813114	115	2*15/107	2*20.0	2
FAPE3813115	115	2*18/89	2*24.1	2
FAPE3813116	115	2*24/67	2*32.1	2
FAPE3813117	2*115	6/533	8.0	3
FAPE3813118	2*115	9/356	12.0	3
FAPE3813119	2*115	12/267	16.0	3
FAPE3813120	2*115	15/214	20.0	3
FAPE3813121	2*115	18/178	24.1	3
FAPE3813122	2*115	24/134	32.1	3
FAPE3813123	2*115	2*6/267	2*8.0	4
FAPE3813124	2*115	2*9/178	2*12.0	4
FAPE3813125	2*115	2*12/134	2*16.0	4
FAPE3813126	2*115	2*15/107	2*20.0	4
FAPE3813127	2*115	2*18/89	2*24.1	4
FAPE3813128	2*115	2*24/67	2*32.1	4

5W EI42/14.8 FAPE4214 SERIES



FEATURES

- Two compartments bobbin
- Self-extinguishing plastics UL94V-0
- Degree of protection IP67
- Weight: 0.2kg
- Temperature class to 70 °C/B

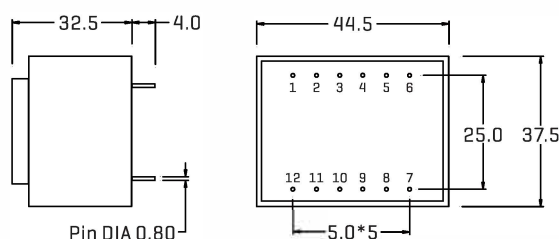
OPTIONS

- Bulk packaging is standard
- Custom design available

COMMON APPLICATIONS

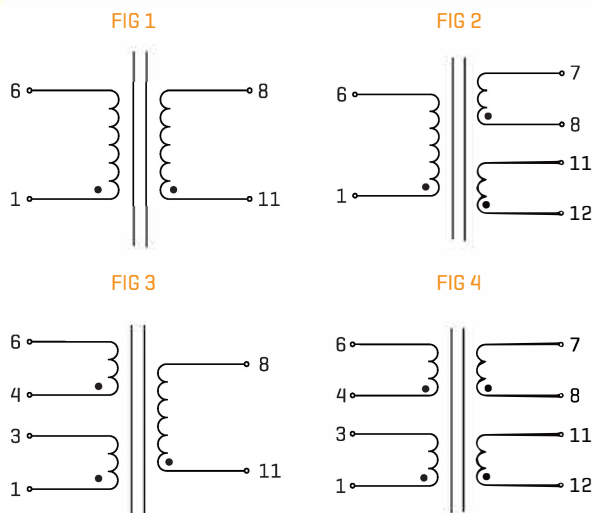
- Medical equipments
- Industrial equipments
- Industrial controls
- Test equipments
- Industrial computers
- Avionics & telecom

PHYSICAL CHARACTERISTICS



ALL DIMENSIONS IN MM

TECHNICAL INFORMATION



ELECTRICAL CHARACTERISTICS AT 25°C

Part Number	Primary [V]	Secondary [V/mA]	No-load voltage[V]	Fig.
FAPE421429	230	6/833	8.1	1
FAPE421430	230	9/556	12.0	1
FAPE421431	230	12/417	15.5	1
FAPE421432	230	15/334	19.2	1
FAPE421433	230	18/278	23.0	1
FAPE421434	230	24/208	30.5	1
FAPE421435	230	2*6/417	2*7.7	2
FAPE421436	230	2*9/278	2*11.6	2
FAPE421437	230	2*12/208	2*15.5	2
FAPE421438	230	2*15/167	2*19.4	2
FAPE421439	230	2*18/139	2*23.1	2
FAPE421440	230	2*24/104	2*30.8	2
FAPE421441	115	6/833	8.1	1
FAPE421442	115	9/556	12.0	1
FAPE421443	115	12/417	15.5	1
FAPE421444	115	15/334	19.2	1
FAPE421445	115	18/278	23.0	1
FAPE421446	115	24/208	30.5	1
FAPE421447	115	2*6/417	2*7.7	2
FAPE421448	115	2*9/278	2*11.6	2
FAPE421449	115	2*12/208	2*15.5	2
FAPE421450	115	2*15/167	2*19.4	2
FAPE421451	115	2*18/139	2*23.1	2
FAPE421452	115	2*24/104	2*30.8	2
FAPE421453	2*115	6/833	8.1	3
FAPE421454	2*115	9/556	12.0	3
FAPE421455	2*115	12/417	15.5	3
FAPE421456	2*115	15/334	19.2	3
FAPE421457	2*115	18/278	23.0	3
FAPE421458	2*115	24/208	30.5	3
FAPE421459	2*115	2*6/417	2*7.7	4
FAPE421460	2*115	2*9/278	2*11.6	4
FAPE421461	2*115	2*12/208	2*15.2	4
FAPE421462	2*115	2*15/167	2*19.4	4
FAPE421463	2*115	2*18/139	2*23.1	4
FAPE421464	2*115	2*24/104	2*30.8	4

10W EI48/16.8 FAPE4816 SERIES



FEATURES

- Two compartments bobbin
- Self-extinguishing plastics UL94V-0
- Degree of protection IP67
- Weight: 0.3kg
- Temperature class to 40 °C/B

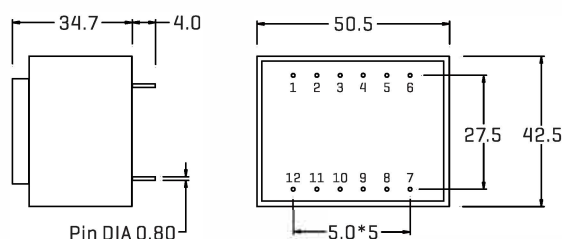
OPTIONS

- Bulk packaging is standard
- Custom design available

COMMON APPLICATIONS

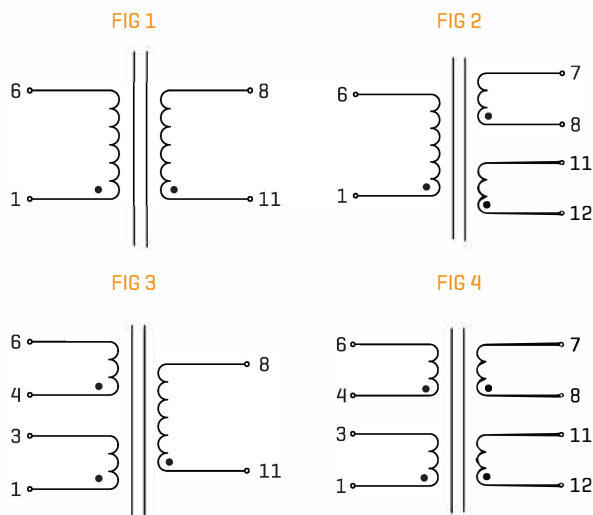
- Medical equipments
- Industrial equipments
- Industrial controls
- Test equipments
- Industrial computers
- Avionics & telecom

PHYSICAL CHARACTERISTICS



ALL DIMENSIONS IN MM

TECHNICAL INFORMATION



ELECTRICAL CHARACTERISTICS AT 25°C

Part Number	Primary [V]	Secondary [V/mA]	No-load voltage[V]	Fig.
FAPE481665	230	6/1666	7.9	1
FAPE481666	230	9/1111	12.0	1
FAPE481667	230	12/834	14.7	1
FAPE481668	230	15/666	19.2	1
FAPE481669	230	18/555	22.9	1
FAPE481670	230	24/416	30.6	1
FAPE481671	230	2*6/834	2*8.1	2
FAPE481672	230	2*9/555	2*11.6	2
FAPE481673	230	2*12/416	2*15.7	2
FAPE481674	230	2*15/333	2*19.5	2
FAPE481675	230	2*18/277	2*23.5	2
FAPE481676	230	2*24/208	2*30.0	2
FAPE481677	115	6/1666	7.9	1
FAPE481678	115	9/1111	12.0	1
FAPE481679	115	12/834	14.7	1
FAPE481680	115	15/666	19.2	1
FAPE481681	115	18/555	22.9	1
FAPE481682	115	24/416	30.6	1
FAPE481683	115	2*6/834	2*8.1	2
FAPE481684	115	2*9/555	2*11.6	2
FAPE481685	115	2*12/416	2*15.7	2
FAPE481686	115	2*15/333	2*19.5	2
FAPE481687	115	2*18/277	2*23.5	2
FAPE481688	115	2*24/208	2*30.0	2
FAPE481689	2*115	6/1666	7.9	3
FAPE481690	2*115	9/1111	12.0	3
FAPE481691	2*115	12/834	14.7	3
FAPE481692	2*115	15/666	19.2	3
FAPE481693	2*115	18/555	22.9	3
FAPE481694	2*115	24/416	30.6	3
FAPE481695	2*115	2*6/834	2*8.1	4
FAPE481696	2*115	2*9/555	2*11.6	4
FAPE481697	2*115	2*12/416	2*15.7	4
FAPE481698	2*115	2*15/333	2*19.5	4
FAPE481699	2*115	2*18/277	2*23.5	4
FAPE4816100	2*115	2*24/208	2*30.0	4

16W EI54/18.8 FAPE5418 SERIES



FEATURES

- Two compartments bobbin
- Self-extinguishing plastics UL94V-0
- Degree of protection IP67
- Weight: 0.42kg
- Temperature class to 40 °C/B

OPTIONS

- Bulk packaging is standard
- Custom design available



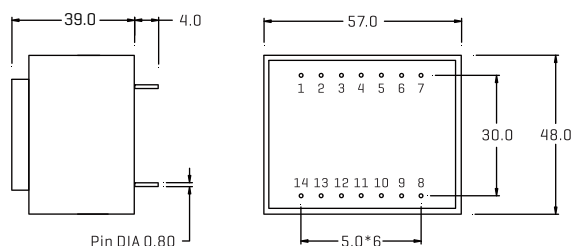
COMMON APPLICATIONS

- Medical equipments
- Industrial equipments
- Industrial controls
- Test equipments
- Industrial computers
- Avionics & telecom

ELECTRICAL CHARACTERISTICS AT 25°C

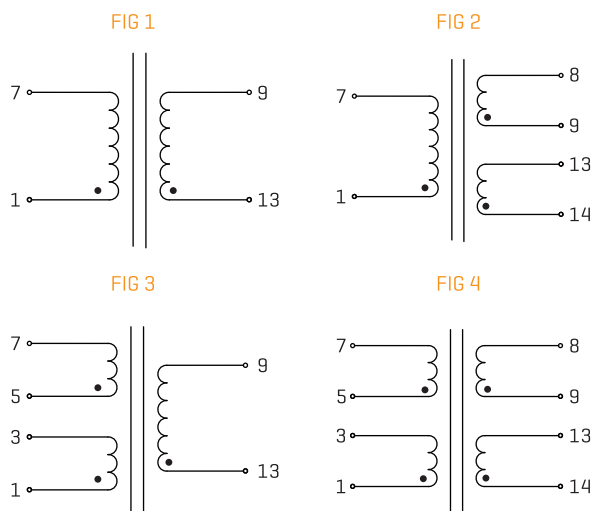
Part Number	Primary [V]	Secondary [V/mA]	No-load voltage[V]	Fig.
FAPE541801	230	6/2666	7.6	1
FAPE541802	230	9/1777	11.3	1
FAPE541803	230	12/1333	15.0	1
FAPE541804	230	15/1066	18.4	1
FAPE541805	230	18/888	22.4	1
FAPE541806	230	24/666	29.6	1
FAPE541807	230	2*6/1333	2*7.6	2
FAPE541808	230	2*9/888	2*11.3	2
FAPE541809	230	2*12/666	2*15.0	2
FAPE541810	230	2*15/533	2*18.4	2
FAPE541811	230	2*18/444	2*22.4	2
FAPE541812	230	2*24/333	2*29.0	2
FAPE541813	115	6/2666	7.6	1
FAPE541814	115	9/1777	11.3	1
FAPE541815	115	12/1333	15.0	1
FAPE541816	115	15/1066	18.4	1
FAPE541817	115	18/888	22.4	1
FAPE541818	115	24/666	29.6	1
FAPE541819	115	2*6/1333	2*7.6	2
FAPE541820	115	2*9/888	2*11.3	2
FAPE541821	115	2*12/666	2*15.0	2
FAPE541822	115	2*15/533	2*18.4	2
FAPE541823	115	2*18/444	2*22.4	2
FAPE541824	115	2*24/333	2*29.0	2
FAPE541825	2*115	6/2666	7.6	3
FAPE541826	2*115	9/1777	11.3	3
FAPE541827	2*115	12/1333	15.0	3
FAPE541828	2*115	15/1066	18.4	3
FAPE541829	2*115	18/888	22.4	3
FAPE541830	2*115	24/666	29.6	3
FAPE541831	2*115	2*6/1333	2*7.6	4
FAPE541832	2*115	2*9/888	2*11.3	4
FAPE541833	2*115	2*12/666	2*15.0	4
FAPE541834	2*115	2*15/533	2*18.4	4
FAPE541835	2*115	2*18/444	2*22.4	4
FAPE541836	2*115	2*24/333	2*29.0	4

PHYSICAL CHARACTERISTICS



ALL DIMENSIONS IN MM

TECHNICAL INFORMATION



25W EI60/25.5 FAPE6025H SERIES



FEATURES

Frequency 50/60Hz
 Potted under vacuum
 Split-bobbin
 Temperature class ta 40°C/B
 Weight: 0.67kg
 Packaging unit: 6 pieces [tray]

OPTIONS

Bulk packaging is standard
 Custom design available

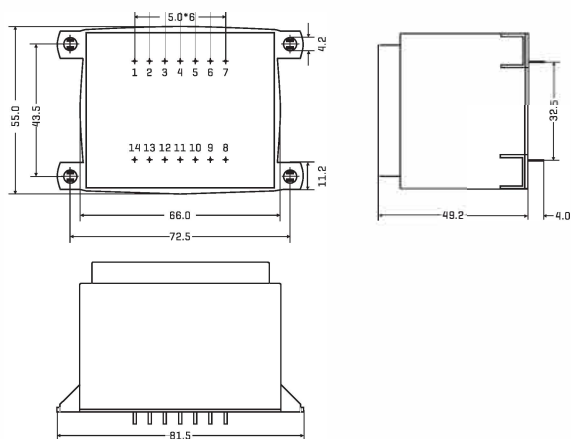
COMMON APPLICATIONS

Medical equipments
 Industrial equipments
 Industrial controls
 Test equipments
 Industrial computers
 Avionics & telecom

ELECTRICAL CHARACTERISTICS AT 25°C

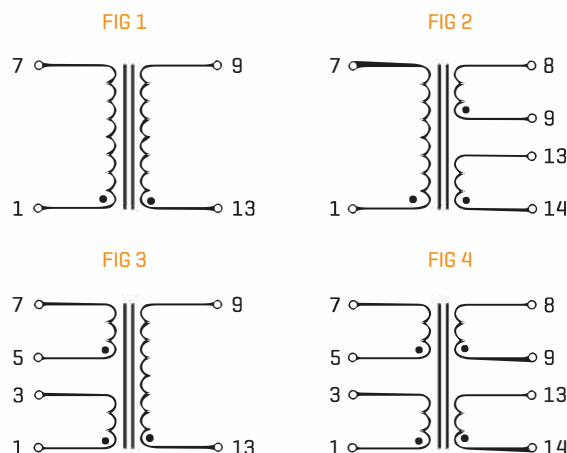
Part Number	Primary [V]	Secondary [V/mA]	No-load voltage[V]	Fig.	Part Number	Primary [V]	Secondary [V/mA]	No-load voltage[V]	Fig.
FAPE602501H	230	6/4170	6.9	1	FAPE602511H	2*115	6/4170	6.9	3
FAPE602502H	230	9/2780	10.3	1	FAPE602512H	2*115	9/2780	10.3	3
FAPE602503H	230	12/2080	13.6	1	FAPE602513H	2*115	12/2080	13.6	3
FAPE602504H	230	15/1670	17	1	FAPE602514H	2*115	15/1670	17	3
FAPE602505H	230	18/1390	20.5	1	FAPE602515H	2*115	18/1390	20.5	3
FAPE602506H	230	24/1040	27	1	FAPE602516H	2*115	24/1040	27	3
FAPE602507H	230	2*6/2080	2*6.9	2	FAPE602517H	2*115	2*6/2080	2*6.9	4
FAPE602508H	230	2*9/1390	2*10.5	2	FAPE602518H	2*115	2*9/1390	2*10.5	4
FAPE602509H	230	2*12/1040	2*13.6	2	FAPE602519H	2*115	2*12/1040	2*13.6	4
FAPE602510H	230	2*15/830	2*17.3	2	FAPE602520H	2*115	2*15/830	2*17.3	4

PHYSICAL CHARACTERISTICS



ALL DIMENSIONS IN MM

TECHNICAL INFORMATION



36W EI66/23 FAPE6623H SERIES



FEATURES

Frequency 50/60Hz
 Potted under vacuum
 Split-bobbin
 Temperature class ta 40°C/B
 Weight: 0.75kg
 Packaging unit: 6 pieces [tray]

OPTIONS

Bulk packaging is standard
 Custom design available

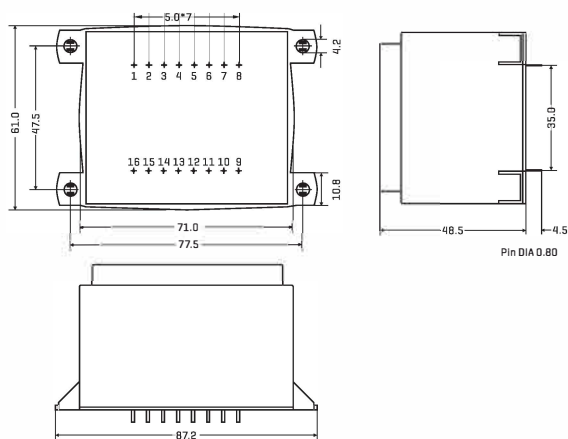
COMMON APPLICATIONS

Medical equipments
 Industrial equipments
 Industrial controls
 Test equipments
 Industrial computers
 Avionics & telecom

ELECTRICAL CHARACTERISTICS AT 25°C

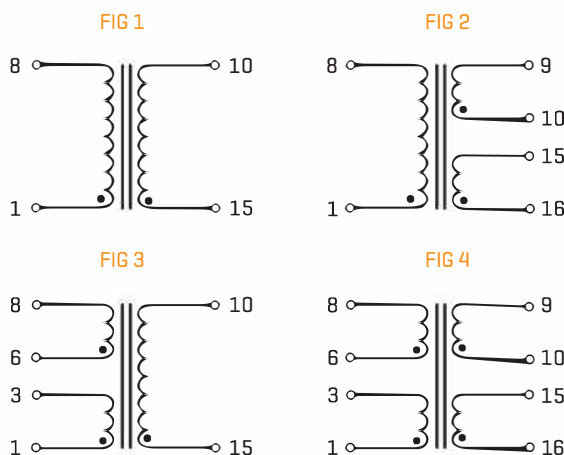
Part Number	Primary [V]	Secondary [V/mA]	No-load voltage[V]	Fig.	Part Number	Primary [V]	Secondary [V/mA]	No-load voltage[V]	Fig.
FAPE662301H	230	6/6000	6.9	1	FAPE662311H	2*115	6/6000	6.9	3
FAPE662302H	230	9/4000	10.3	1	FAPE662312H	2*115	9/4000	10.3	3
FAPE662303H	230	12/3000	13.6	1	FAPE662313H	2*115	12/3000	13.6	3
FAPE662304H	230	15/2400	17	1	FAPE662314H	2*115	15/2400	17	3
FAPE662305H	230	18/2000	20.5	1	FAPE662315H	2*115	18/2000	20.5	3
FAPE662306H	230	24/1500	27	1	FAPE662316H	2*115	24/1500	27	3
FAPE662307H	230	2*6/3000	2*6.9	2	FAPE662317H	2*115	2*6/3000	2*6.9	4
FAPE662308H	230	2*9/2000	2*10.5	2	FAPE662318H	2*115	2*9/2000	2*10.5	4
FAPE662309H	230	2*12/1500	2*13.6	2	FAPE662319H	2*115	2*12/1500	2*13.6	4
FAPE662310H	230	2*15/1200	2*17.3	2	FAPE662320H	2*115	2*15/1200	2*17.3	4

PHYSICAL CHARACTERISTICS



ALL DIMENSIONS IN MM

TECHNICAL INFORMATION



50W EI66/34.7 FAPE6634H SERIES



FEATURES

Frequency 50/60Hz
 Potted under vacuum
 Split-bobbin
 Temperature class ta 40°C/B
 Weight: 1.04kg
 Packaging unit: 6 pieces [tray]

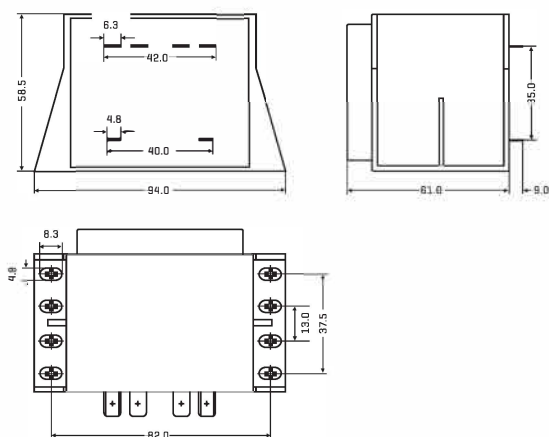
OPTIONS

Bulk packaging is standard
 Custom design available

COMMON APPLICATIONS

Medical equipments
 Industrial equipments
 Industrial controls
 Test equipments
 Industrial computers
 Avionics & telecom

PHYSICAL CHARACTERISTICS



ELECTRICAL CHARACTERISTICS AT 25°C

Part Number	Primary [V]	Secondary [V/mA]	No-load voltage[V]	Fig.
FAPE663401H	230	6/8333	7.2	1
FAPE663402H	230	9/5560	10.4	1
FAPE663403H	230	12/4170	13.4	1
FAPE663404H	230	15/3330	17	1
FAPE663405H	230	18/2780	20.5	1
FAPE663406H	230	24/2080	27.1	1
FAPE663407H	230	2*6/4170	2*7	2
FAPE663408H	230	2*9/2780	2*10.4	2
FAPE663409H	230	2*12/2080	2*13.6	2
FAPE663410H	230	2*15/1670	2*17.6	2

TECHNICAL INFORMATION

FIG 1

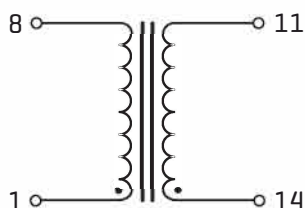
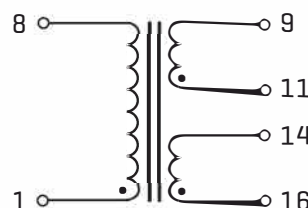


FIG 2



ALL DIMENSIONS IN MM

50W EI66/34.7 FAPE6634H SERIES



FEATURES

Frequency 50/60Hz
 Potted under vacuum
 Split-bobbin
 Temperature class ta 40°C/B
 Weight: 1.04kg
 Packaging unit: 6 pieces [tray]

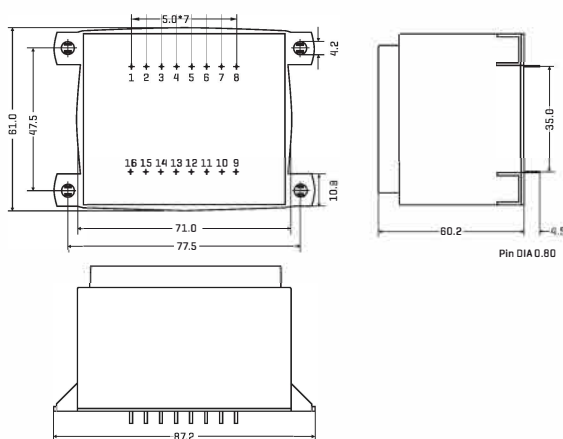
OPTIONS

Bulk packaging is standard
 Custom design available

COMMON APPLICATIONS

Medical equipments
 Industrial equipments
 Industrial controls
 Test equipments
 Industrial computers
 Avionics & telecom

PHYSICAL CHARACTERISTICS



ELECTRICAL CHARACTERISTICS AT 25°C

Part Number	Primary (V)	Secondary (V/mA)	No-load voltage[V]	Fig.
FAPE663411H	2*115	6/8333	7.2	1
FAPE663412H	2*115	9/5560	10.4	1
FAPE663413H	2*115	12/4170	13.4	1
FAPE663414H	2*115	15/3330	17	1
FAPE663415H	2*115	18/2780	20.5	1
FAPE663416H	2*115	24/2080	27.1	1
FAPE663417H	2*115	2*6/4170	2*7	2
FAPE663418H	2*115	2*9/2780	2*10.4	2
FAPE663419H	2*115	2*12/2080	2*13.6	2
FAPE663420H	2*115	2*15/1670	2*17.6	2

TECHNICAL INFORMATION

FIG 1

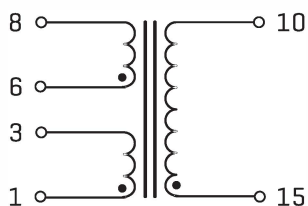
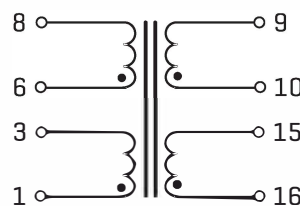


FIG 2



ALL DIMENSIONS IN MM